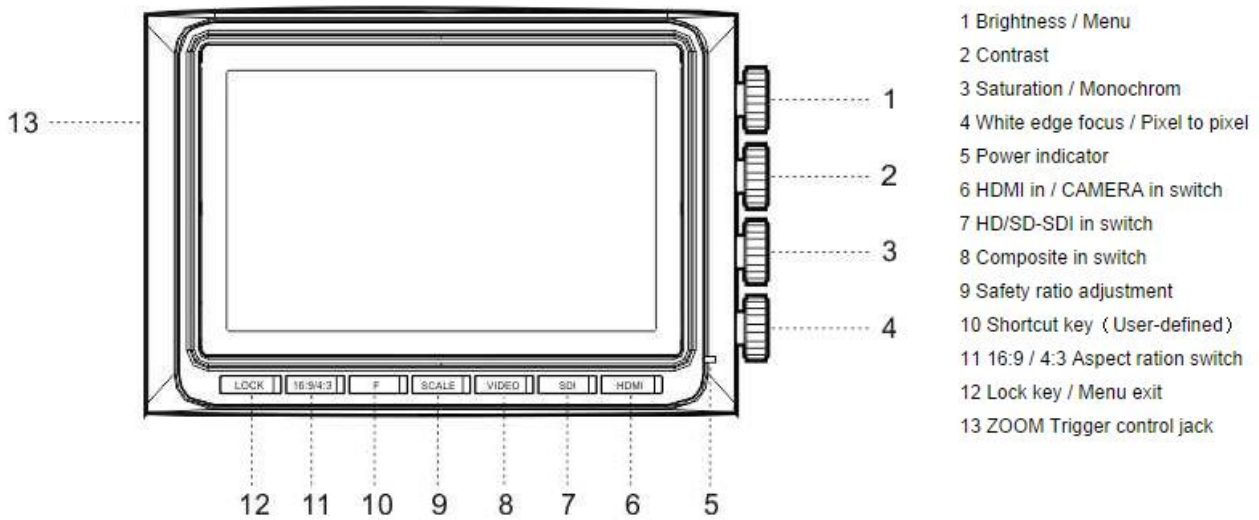
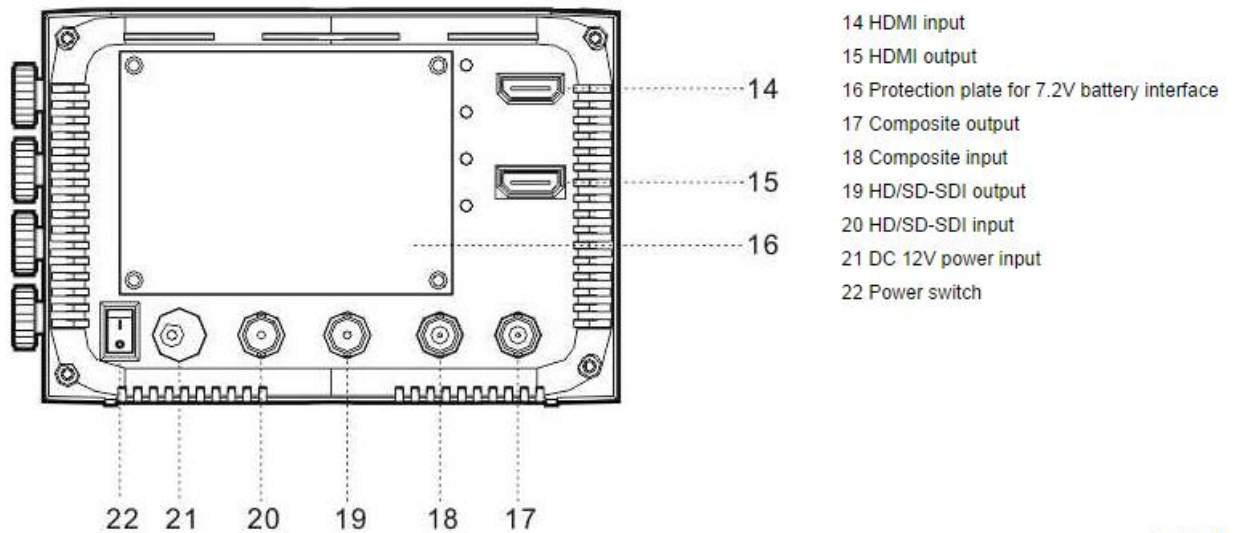


# Function Sketch Map

## Function sketch ---front view



## Function sketch ---back view



Back to h