



The Perfect Experience

9" HD Multi-Format AC/DC LCD Monitor

DT-V9L3D

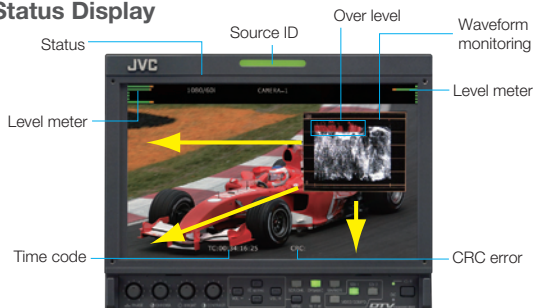


Reproduce HD images, faithful to the original signals, with less than one frame of latency.

Features

- 800x480 pixels
- AC/DC operation
- Waveform monitoring with over-level function
- Digital signal HD/SD SDI input: 2 lines
- Head phone mini-jack
- Time code/CRC error display
- Frame and centre marker
- Gold-plated HD/SD SDI terminals with embedded audio
- Status display in unused section of 15:9 panel
- Wide selection of video production functions
- Rugged, tilt and adjustable stand provided
- 2-way remote control
- Quiet fan-less design

Status Display



*Choose from four positions to display the waveform monitoring.
*The level meter can also be displayed vertically.

Input Format

VIDEO	Input terminals	
	Video/Component	HD/SD SDI
Signal name	VBS (Composite)	Y/Pb/Pr (Analogous Component)
NTSC	✓	—
PAL	✓	—
BW(50Hz/60Hz)*1	—	—
480i/50i	—	✓
576/50i	—	✓
480/60p	—	✓
576/50p	—	✓
720/50p, 60p	—	✓
1035/60i	—	✓ ²
1080/50i, 60i	—	✓
1080i/25p/30p/30p*	—	✓ ³

*1: BW(50Hz): Status display is displayed by PAL.
BW(60Hz): Status display is displayed by NTSC.
*2: Status display is displayed by 1080/60i.
*3: 1080/25p/30p: Status display is displayed by 1080/50i.
1080/30p/30p: Status display is displayed by 1080/60i.

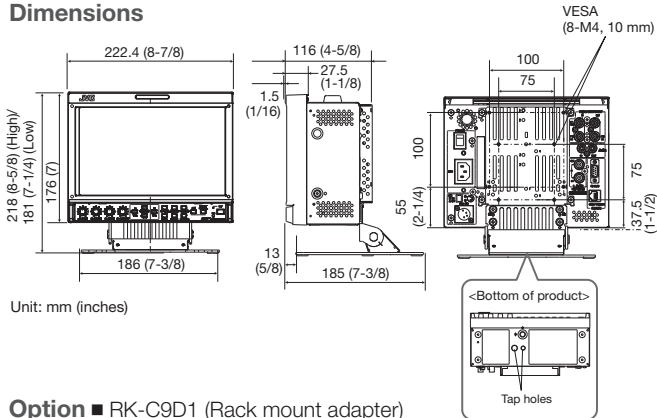
Specifications

Model		DT-V9L3D
Type	Multi-format HDTV/SDTV LCD monitor	
Screen Size	9" wide format	
Aspect Ratio	15:9	
LCD Panel	9" wide, active matrix TFT	
Effective Screen Size (W x H)	195 x 117 mm (7-11/16 x 4-5/8")	
Pixels	H800 x V480 (WVGA)	
Display Colours	16.77 million	
Viewing Angle	Horizontal	170°
	Vertical	170°
Brightness	350 cd/m ²	
Contrast Ratio	400: 1	
Applicable Standard	HD SDI: BTA S-004B, SMPTE292M SD SDI: ITU-R BT.656: 525/625, SMPTE259M: 525 EMBEDDED AUDIO: SMPTE299M, SMPTE272M	
Audio Output	1.0 W (Mono)	
Environmental Conditions	Operating temperature	0°C to 40°C (32°F to 104°F)
	Operating humidity	20% to 80% (non condensing)
	Storage temperature	-20°C to 60°C (-4°F to 140°F)
Power Requirements	AC 120/220-240 V, 50/60 Hz/DC 12-17 V	
Rated Current	0.35 A (AC120V), 0.25 A (AC 220-240 V)/ 1.7 A (DC 12 V)	
Dimensions (WxHxD) excluding protrusions)	With desktop stand (High position)	222.4 x 218 x 185 mm (8-7/8" x 8-5/8" x 7-3/8")
	With desktop stand (Low position)	222.4 x 181 x 202 mm (8-7/8" x 7-1/4" x 8")
	Without stand	222.4 x 176 x 116 mm (8-7/8" x 7" x 4-5/8")
Weight	Including stand	3.6 kg (7.9 lbs.)
	Excluding stand	2.7 kg (5.9 lbs.)
Mount hole pitch	75 mm x 75 mm, 100 mm x 100 mm	
Stand (provided)	Forward 10°, backward 20° tilt	
Provided Accessories	Protective screen x1, screw x4 (for protective screen), AC power cord, adapter, power cord holder, screw x 2 (for power cord holder)	
Option	Rack mount adapter	

Input/Output Terminals

Category	Terminal	Description
Video	VIDEO	Composite video signal input/output: 1 line, BNC x 2, 1 V (p-p), 75 ohms (IN and OUT are connected with a bridge connection) (auto termination)
	COMPO. (Y, Pb/B-Y, Pr/R-Y)	Analogue component signal input: 1 line, BNC x 2 0.7 V (p-p), 75 ohms
	HD/SD SDI (IN 1)	Digital signal input (compatible with EMBEDDED AUDIO): Auto detection, 2 lines, BNC x 2
	HD/SD SDI (IN 2)	Digital signal input (compatible with EMBEDDED AUDIO): Switched out 1 line, BNC x 1
	HD/SD SDI (OUT)	Digital signal output (compatible with EMBEDDED AUDIO): Switched out 1 line, BNC x 1
Audio	AUDIO (IN)	Analogue audio signal input: 1 line, RCA x 1, 500 mV (rms), high impedance
	AUDIO (MONITOR OUT)	2 lines (OUT 1, OUT 2), RCA x 2
	Head phone	Monaural type 3.5 mm mini-jack x 1
External Control	MAKE/TRIGGER	RJ-45 (8-pin) x 1
	RS-232C	D-sub (9-pin) x 1

Dimensions



Unit: mm (inches)

Option ■ RK-C9D1 (Rack mount adapter)

Front Panel



INPUT TERMINALS	CONTROLS	FUNCTIONS	INSTALLATION	OPERATION
HD/SD SDI Gold-plated	RS-232C	Area marker	Stand (Tilt & height adjustable)	Power AC/DC
Audio In/Out	Make/trigger	Safety marker	Rack mount (Option)	
Speaker mono		Tally lamp	VESA	
		Audio level meter	Carrying handle	
		Source ID display	Protective screen (Provided)	
		Focus assist		
		Dynamic mode		
		Waveform monitoring		

Rear Panel

