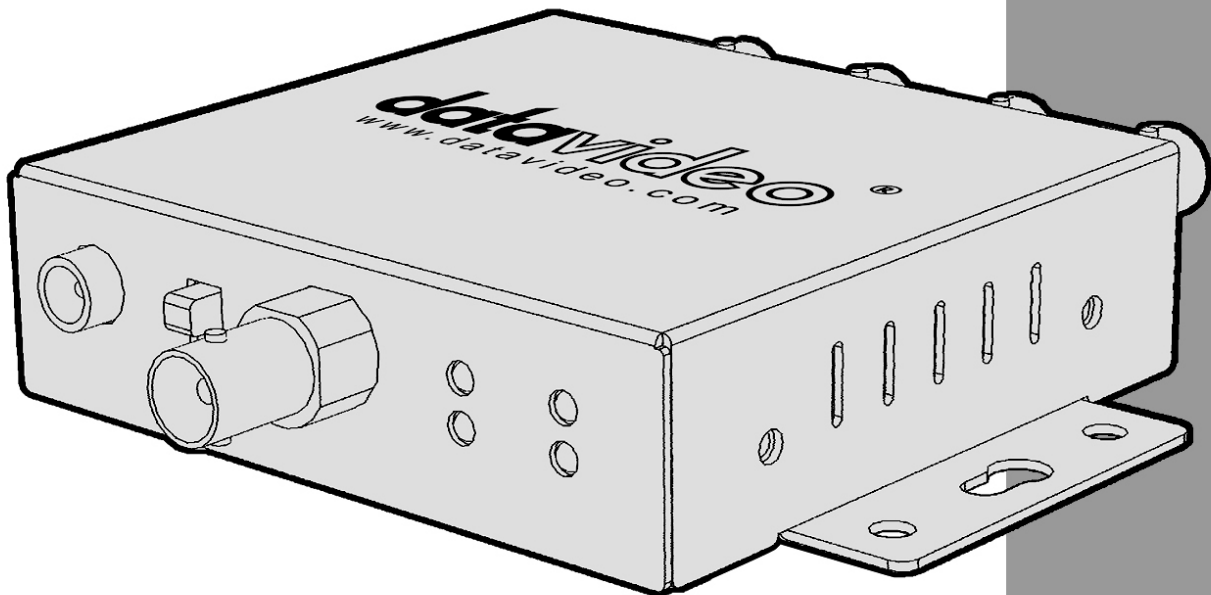


datavideo®



**HD/ SD-SDI
DISTRIBUTION AMPLIFIER
VP-445**

Instruction Manual

www.datavideo.com



Warnings and Precautions

1. Read all of these warnings and save them for later reference.
2. Follow all warnings and instructions marked on this unit.
3. Unplug this unit from the wall outlet before cleaning. Do not use liquid or aerosol cleaners. Use a damp cloth for cleaning.
4. Do not use this unit in or near water.
5. Do not place this unit on an unstable cart, stand, or table. The unit may fall, causing serious damage.
6. Slots and openings on the cabinet top, back, and bottom are provided for ventilation. To ensure safe and reliable operation of this unit, and to protect it from overheating, do not block or cover these openings. Do not place this unit on a bed, sofa, rug, or similar surface, as the ventilation openings on the bottom of the cabinet will be blocked. This unit should never be placed near or over a heat register or radiator. This unit should not be placed in a built-in installation unless proper ventilation is provided.
7. This product should only be operated from the type of power source indicated on the marking label of the AC adapter. If you are not sure of the type of power available, consult your Datavideo dealer or your local power company.
8. Do not allow anything to rest on the power cord. Do not locate this unit where the power cord will be walked on, rolled over, or otherwise stressed.
9. If an extension cord must be used with this unit, make sure that the total of the ampere ratings on the products plugged into the extension cord do not exceed the extension cord's rating.
10. Make sure that the total amperes of all the units that are plugged into a single wall outlet do not exceed 15 amperes.
11. Never push objects of any kind into this unit through the cabinet ventilation slots, as they may touch dangerous voltage points or short out parts that could result in risk of fire or electric shock. Never spill liquid of any kind onto or into this unit.
12. Except as specifically explained elsewhere in this manual, do not attempt to service this product yourself. Opening or removing covers that are marked "Do Not Remove" may expose you to dangerous voltage points or other risks, and will void your warranty. Refer all service issues to qualified service personnel.
13. Unplug this product from the wall outlet and refer to qualified service personnel under the following conditions:
 - a. When the power cord is damaged or frayed;
 - b. When liquid has spilled into the unit;
 - c. When the product has been exposed to rain or water;
 - d. When the product does not operate normally under normal operating conditions. Adjust only those controls that are covered by the operating instructions in this manual; improper adjustment of other controls may result in damage to the unit and may often require extensive work by a qualified technician to restore the unit to normal operation;
 - e. When the product has been dropped or the cabinet has been damaged;
 - f. When the product exhibits a distinct change in performance, indicating a need for service.
14. Due to the general consumer usage behavior, efficient power distribution on the field, corporate environment responsibility by eliminating harmful substances such as carbon dioxide, sculpture dioxide, etc., and other unexpected risks, this product does not provide standby power option

Warranty

Standard Warranty

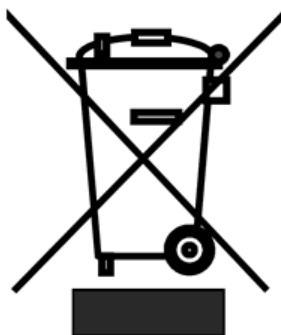
- Datavideo equipment is guaranteed against any manufacturing defects for one year from the date of purchase.
- The original purchase invoice or other documentary evidence should be supplied at the time of any request for repair under warranty.
- Damage caused by accident, misuse, unauthorized repairs, sand, grit or water is not covered by this warranty.
- All mail or transportation costs including insurance are at the expense of the owner.
- All other claims of any nature are not covered.
- Cables & batteries are not covered under warranty.
- Warranty only valid within the country or region of purchase.
- Your statutory rights are not affected.

Two Year Warranty

- All Datavideo products purchased after 01-Oct.-2008 qualify for a free one year extension to the standard Warranty, providing the product is registered with Datavideo within 30 days of purchase. For information on how to register please visit www.datavideo-tek.com or contact your local Datavideo office or authorized Distributors
- Certain parts with limited lifetime expectancy such as LCD Panels, DVD Drives, Hard Drives are only covered for the first 10,000 hours, or 1 year (whichever comes first).

Any second year warranty claims must be made to your local Datavideo office or one of its authorized Distributors before the extended warranty expires.

Disposal



For EU Customers only - WEEE Marking

This symbol on the product indicates that it will not be treated as household waste. It must be handed over to the applicable take back scheme for the recycling of electrical and electronic equipment. For more detailed information about the recycling of this product, please contact your local Datavideo office.

Packing List

The following items should be included in the box. If any items are missing please contact your supplier.

- | | | |
|---|---|-------------------------------------|
| 1 | x | VP-445 4 Way Distribution Amplifier |
| 1 | x | Power Supply (12V 500mA) |
| 1 | x | Instruction Manual |

Introduction

The Datavideo VP-445 is a 4 Way SDI Distribution Amplifier. It can distribute either SD or HD SDI together with embedded audio.

Features

SD / HD SDI Distribution Amplifier

SD / HD Auto Detect with LED Indicator

LED Power and Signal Lock Indicator

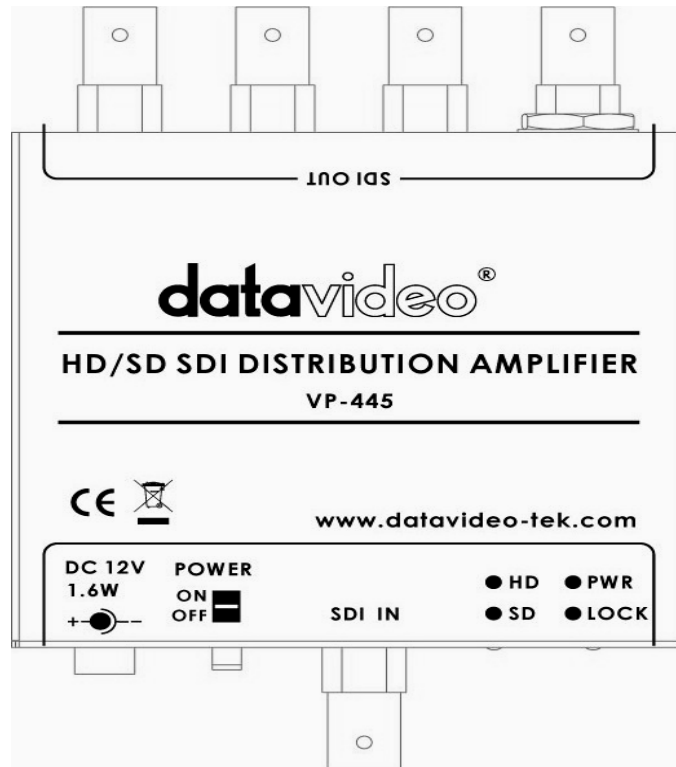
Compact design

Built in mounting plate for easy installation

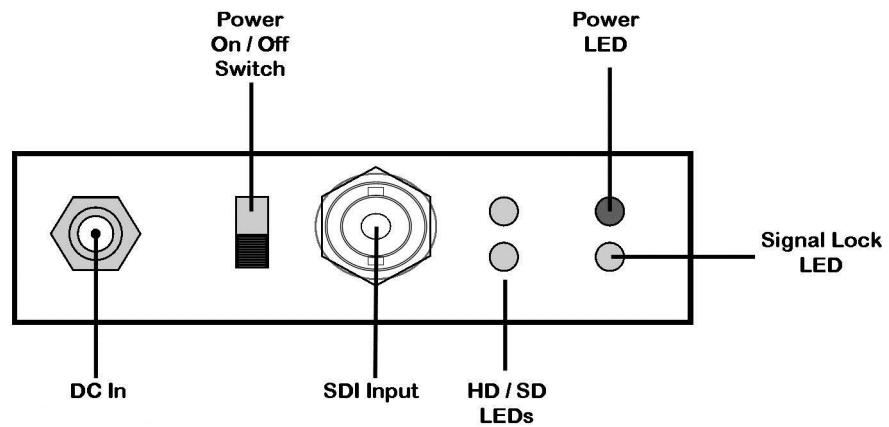
Locking 2.1mm in-line DC In socket

12V 1.6W power requirement (12V 500mA PSU supplied).

Connections



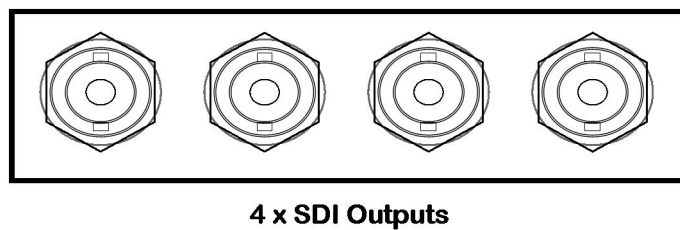
Front Panel



HD / SD LEDs - Once a signal has been detected the appropriate LED will light to indicate format.

Signal Lock LED - The LED will light up when a SDI signal is detected.

Rear Panel



Specifications

Video Input	BNC (75Ω) SDI inc. Embedded Audio
Video Output	4 x BNC (75Ω) SDI inc. Embedded Audio
Video Signal	SD: SDI signal (SMPTE-259M, 270Mb/sec) Amplitude: 800 +/- 10% Timing jitter: 0.2 UI Alignment jitter: 0.2 UI HD: HD-SDI signal (SMPTE-292M, 1.47GMB/sec) Amplitude: 800 +/- 10% Timing jitter: 1.0 UI Alignment jitter: 0.2 UI
Audio	Digital : SDI Embedded
Power Requirement	12V 1.6W (2.1mm In-Line Jack centre positive)
Dimensions (Incl. Mounting Plate)	12.3 x 13.2 x 2.5 cm L x W x D
Weight	340g

Specifications are subject to change without notice

Notes

Service & Support

It is our goal to make owning and using Datavideo products a satisfying experience. Our support staff is available to assist you to set up and operate your system. Contact your local office for specific support requests. Plus, please visit www.datavideo.com to access our FAQ section.

Datavideo USA

Datavideo Corporation
7048 Elmer Avenue.
Whittier, CA 90602,
U.S.A.
Tel:+1-562-696 2324
Fax:+1-562-698 6930
E-mail:sales@datavideo.us

Datavideo The Netherland

Datavideo Technologies Europe BV
Floridadreef 106
3565 AM Utrecht,
The Netherlands
Tel:+31-30-261-96-56
Fax:+31-30-261-96-57
E-mail:info@datavideo.nl

Datavideo United Kingdom

Datavideo UK Limited
Units1 & 2 Waterside Business Park
Hadfield, Glossop, Derbyshire
SK13 1BE, UK
Tel:+44-1457 851 000
Fax:+44-1457 850 964
E-mail:sales@datavideo.co.uk

Datavideo Taiwan

Datavideo Technologies Co. Ltd
10F. No. 176, Jian 1st Rd., Chung Ho
District, New Taipei City 235, Taiwan,
R.O.C.
Tel: +886-2-8227-2888
Fax: +886-2-8227-2777
E-mail:service@datavideo.com.tw

Datavideo China

Datavideo Technologies China Co
101,NO.618,LiuYing Rd,Zhabei District,
Shanghai,China
Tel: +86 21-5603 6599
Fax: +86 21-5603 6770
E-mail:service@datavideo.cn

Datavideo Singapore

Datavideo Technologies (S) PTE Ltd
No. 178 Paya Lebar Road #06-03
Singapore 409030
Tel:+65-6749 6866
Fax:+65-6749 3266
E-mail:sales@datavideo.sg

Datavideo Hong Kong

Datavideo Hong Kong Ltd
G/F.,26 Cross Lane
Wanchai, Hong Kong
Tel: +852-2833-1981
Fax: +852-2833-9916
E-mail:info@datavideo.com.hk

Datavideo France

Datavideo France s.a.r.l
Cit  Descartes 1,rue Albert Einstein
Champs sur Marne
774477-Marne la Vall e cedex 2
Tel:+33-1-60370246
E-mail: info@datavideo.fr

Datavideo India

Datavideo Technologies India Pvt L
A-132, Sec-63,Noida-201307,
Uttar Pradesh (UP), India.
Tel:+91-0120-2427337
Fax:+91-0120-2427338
E-mail: sales@datavideo.in



Please refer to our website for update the latest version manual.

www.datavideo.info/Repeaters+and+Distribution/VP-445

datavideo®
www.datavideo.com

All the trademarks are the properties of their respective owners.

Datavideo Technologies Co., Ltd. All rights reserved 2018

Feb-26.2014 P/N: G082060445E4