

# PTZ CAMERA CONTROL UNIT RMC-180



Datavideo PTC-100



Datavideo RMC-180 is designed for the PTC-100 PTZ camera. The RMC-180 can control up to four PTC-100s thru standard Cat-5 or Cat-6 network cable up to 1000m. It controls Pan, Tilt, Zoom as well as Iris, Focus, Gain, and other functions.

Easy integration with Datavideo SE-2000R & HS-2000 HD switchers for an affordable turnkey HD multi-camera solution.

## APPLICATIONS



Conferences



Education



Worship

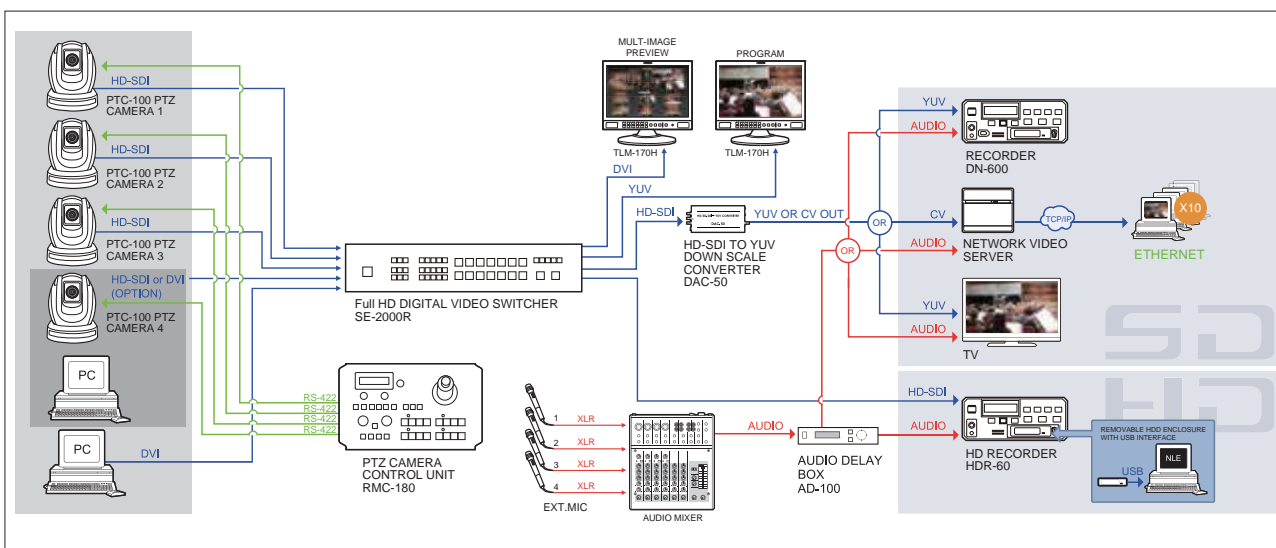


Small or automated video studio

## FEATURES

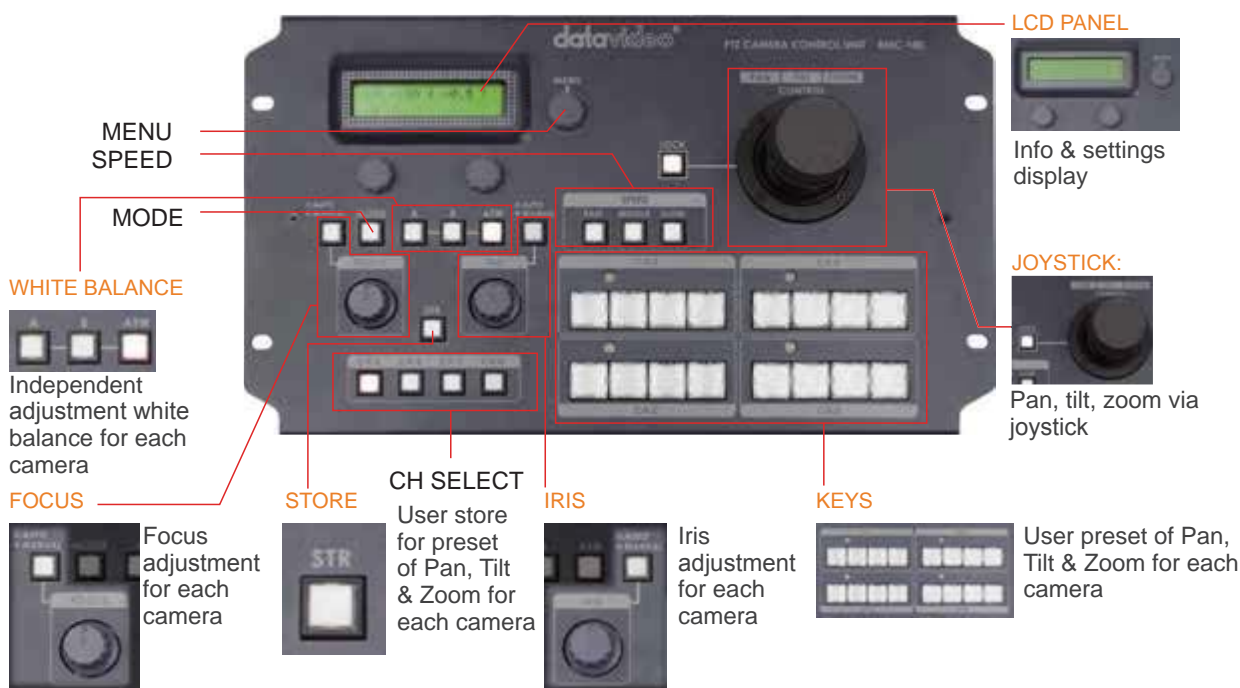
- Connects up to four of Datavideo PTC-100 Pan,Tilt & Zoom cameras
- Pan,Tilt & Zoom with speed control
- Control of Pan, Tilt, Zoom as well as Iris, Focus , Gain, and other functions
- Four preset positions for each camera
- Full remote control of each camera via affordable network cabling, up to 1000m
- Compatible with Datavideo's switcher tally indicators
- Compact design for easy installation

SETUP DIAGRAM



PANEL

COVER PANEL



REAR PANEL



SPECIFICATIONS

- Pan Tilt Zoom control via joystick
- Variable speed control
- 4 memory settings of each camera
- Calibration of iris, focus, RB balance, NR and more
- Compatible with Datavideo's switcher tally indicators
- Remote control of each camera via network cabling, over long distances
- Power Input: DC 12V 0.5 A