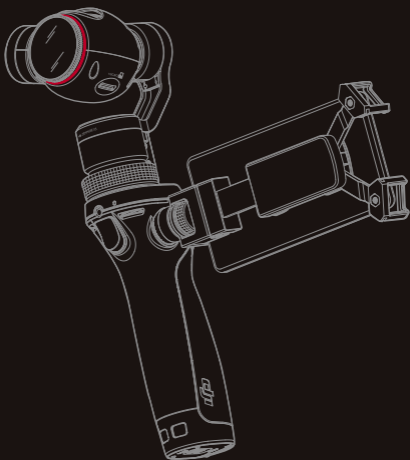


OSMO

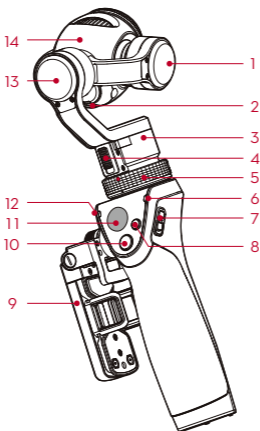
Quick Start Guide

V1.0

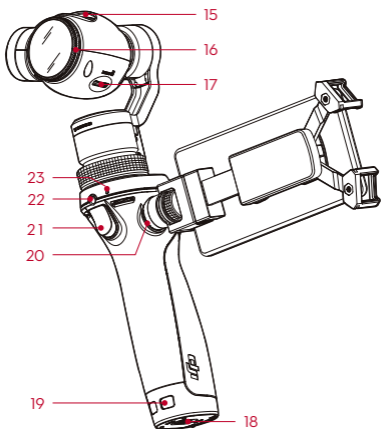


Overview

The Osmo is a professional handheld gimbal that combines mobility and stability in one device. Its camera shoots sharp 12MP still photos and stable video at up to 4K. Your mobile device can be mounted on the side of the handle and display a live feed through the high-speed WiFi video link.



- | | |
|------------------------|----------------------|
| 1 Tilt Motor | 10 Shutter Button |
| 2 Micro USB Port | 11 Joystick |
| 3 Pan Motor | 12 Camera Status LED |
| 4 Pan Axis Lock | 13 Roll Motor |
| 5 Gimbal Lock | 14 Camera |
| 6 System Status LED | |
| 7 Power Switch | |
| 8 Record Button | |
| 9 Mobile Device Holder | |



- 15 Air Vents
- 16 UV Filter
- 17 Micro SD Card Slot
- 18 Battery Cover
- 19 Lanyard Hole
- 20 Rosette Mount
- 21 Trigger
- 22 External Microphone Input
- 23 Built-in Microphone

Specifications

• Handle

Dimensions	2.4×1.9×6.4 inches (61.8×48.2×161.5 mm)
Weight (including battery)	201 g

• Gimbal

Model	Zenmuse X3
Weight	221 g
Output Power (with camera)	Static: 9 W; Dynamic: 11 W
Angular Vibration Range	±0.03°
Mount	Detachable
Controllable Range	Tilt: -35° to +135° Pan: ±320°; Roll: ±30°
Mechanical Range	Tilt: -90° to +150° Pan: ±330°; Roll: -50° to +90°
Max. Controllable Speed	120°/s

• Camera

Model	X3/FC350H
Sensor	Sony Exmor R CMOS; 1/2.3" Effective pixels: 12.40 M (Total pixels: 12.76 M)
Lens	94° FOV 20 mm (35 mm format equivalent) f/2.8
ISO Range	100–3200 (video); 100–1600 (photo)
Electronic Shutter Speed	8 s–1/8000 s (up to 30 s when camera is in M mode)
Max. Image Size	4000×3000 pixels
Still Photography Modes	Single Shot Photo Burst Mode: 3/5/7 shots Auto Exposure Bracketing (AEB): 3/5 bracketed frames @ 0.7 EV bias Interval Timelapse Auto Panorama Selfie Panorama
Video Resolution	UHD: 4K (4096×2160) 24/25p 4K (3840×2160) 24/25/30p 2.7K (2704×1520) 24/25/30p FHD: 1920×1080 24/25/30/48/50/60/120p HD: 1280×720 24/25/30/48/50/60p
Video Recording Modes	Auto; Slow Motion
Max. Video Bitrate	60 Mbps
Supported File Systems	FAT32 (≤ 32 GB) ; exFAT (> 32 GB)
Photo Formats	JPEG, DNG (RAW)
Video Formats	MP4/MOV (MPEG-4 AVC/H.264)

Supported SD Cards	Micro SD; Max. Capacity: 64 GB; Class 10 or UHS-1
Operating Temperature	32° to 104° F (0° to 40° C)
Audio Output	Two channel; 48 KHz; AAC

• WiFi Video Link

Operating Frequency	2.412–2.462 GHz; 5.180–5.805 GHz
Max. Transmission Distance	82 feet (25 m)
Transmitter Power (EIRP)	2.4G: 8 dBm; 5G: 12 dBm

• Intelligent Battery

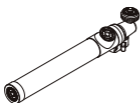
Model	HB01-522365
Type	LiPo
Capacity	980 mAh
Energy	10.8 Wh
Voltage	11.1 V
Charging Temperature	59° to 104° F (15° to 40° C)
Operating Temperature	14° to 122° F (-10° to 50° C)

• Battery Charger

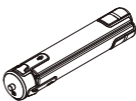
Model	SOY015A-1260120
Input	100–240 V; 50/60 Hz
Output	12.6 V; 1.2 A

Optional Accessories

Extension Rod



Tripod



Bike Mount



Vehicle Mount



Visit the DJI Online Store for more information:
<http://store.dji.com>

1. Install the DJI GO App

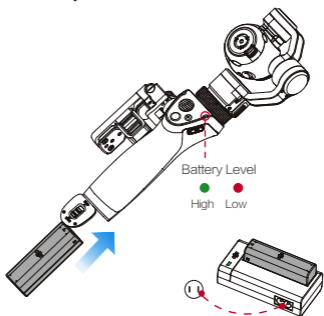
Search for 'DJI GO' on the App Store or Google Play, and install the app on your mobile device.



- DJI GO supports iOS 8.0 (or later) or Android 4.1.2 (or later).

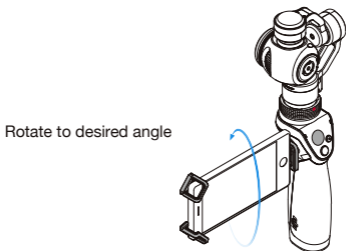
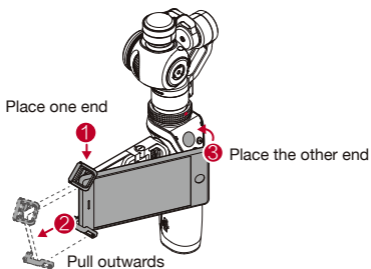
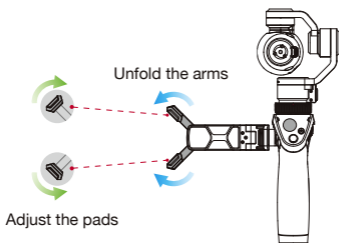
2. Prepare the Battery

Fully charge the battery for the first time to activate. Insert the battery as shown.



- Charge Time: ~1 hour.
- The LED indicator will glow green when charging is complete.

3. Mount your Mobile Device



• Ensure your mobile device is fully seated.

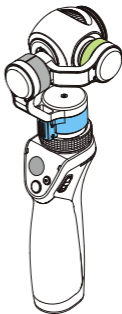
4. Unlock the Gimbal



1. Rotate the tilt motor
2. Rotate the roll motor



3. Slide the Pan Axis Lock up



- Follow the order above to avoid damaging the camera.
- Rotate the motors just enough to loosen them.

5. Connect to the DJI GO App



To Power On:
Pull down on the switch

Pull down again > Sleep

Pull down and hold for 1.5 s > Power Off



Turn on your mobile's WiFi and
connect to **OSMO_XXXXXX**
Default password: **12341234**

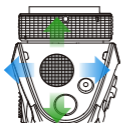


Launch the app and tap
Enter Camera View.



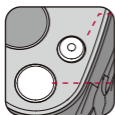
Activate the Osmo if you are using it for the first time.
This requires an internet connection.

6. Controls



- Pan or tilt the camera with the joystick.

- Position the camera directly by hand.



- **Record Button**
Press once to start recording, and again to stop recording.
- **Shutter Button**
Press once to take a photo.

- **Trigger**
Hold down to enable Lock Mode.
Tap twice to center the camera.
Tap three times to enter Selfie Mode.



- SmoothTrack Mode is enabled automatically to smooth out jerky movements.
- The Osmo will beep slowly if the gimbal is locked after it is turned on. This means the camera is working normally but the gimbal is shut off.
- If you need to unlock the gimbal after it is turned on, you must rotate the pan motor after unlocking the tilt motor and pan motor to reactivate the gimbal.

For more information, read the User Manual:
www.dji.com/product/osmo

OSMO

www.dji.com