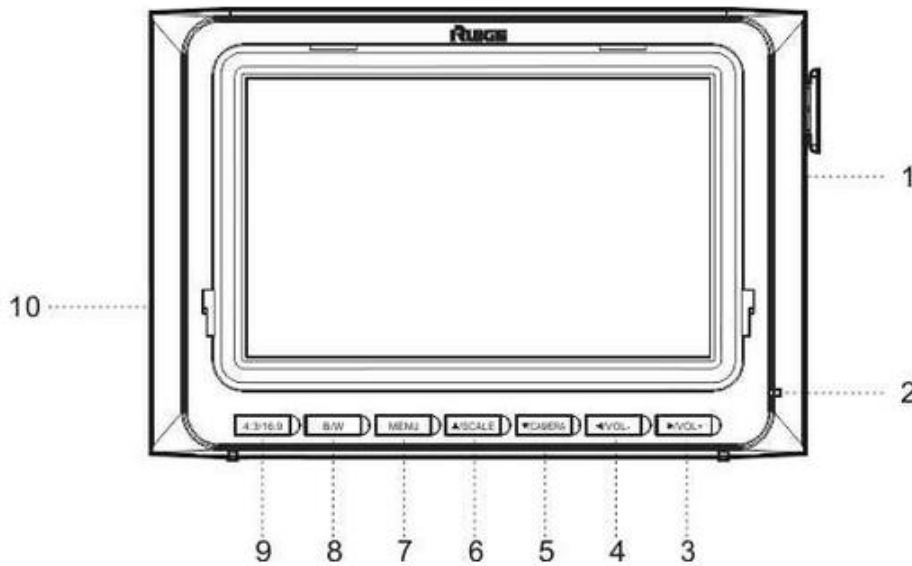


Function Sketch Map

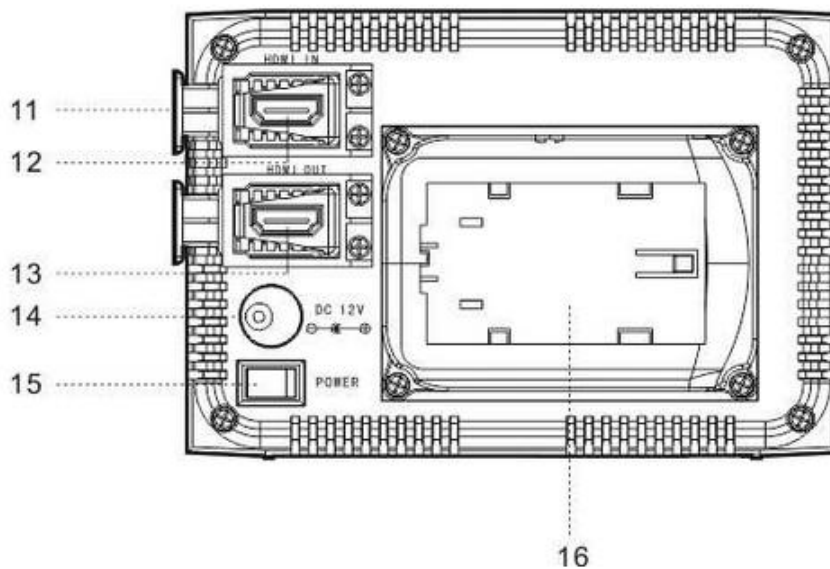
TL-S480HDA

Function sketch ---front view



- 1 Headphone jack
- 2 Power indicator (Green)
- 3 Value+ / Volume up
- 4 Value- / Volume down
- 5 Adjust downwards / CAMERA in switch
- 6 Adjust upwards / Safety ratio adjustment
- 7 Menu
- 8 Monochrom
- 9 16:9 / 4:3 Aspect ratio switch
- 10 ZOOM Trigger control jack

Function sketch ---back view



- 11 HDMI lock (Optional)
- 12 HDMI input
- 13 HDMI output
- 14 DC 12V power input
- 15 Power switch
- 16 7.2 V Battery adapter plate (Optional)